



**BONE SAW MACHINE**



**BSM202**

## Warning

Please use the machine according to these cautions. The user should understand all rules, please carefully read it before you operate machine.

The machine may harm to health if the user remove or change the safety-equip operation of the machine.

We are not responsible for all hurting by wrong operate of the machine.

## Installation

The machine is better by packaged, please put it in plumb situation and keep the level when assemble or disassemble the machine.

The machine should be put on a steady and even earth, if not, you could adjust the rubber feet.

Please check carefully the voltage and power is the same as the label, to check is it single phase or three phase and whether have the earthing wire.

Please check the power line is long enough for content the socket and satisfied by the work condition.

When the machine opened by the user \$ please inspect saw belt length on the top and bottom block, it is must be parallel with edge on the block

Then close the machine's door, please connect with the electric line, turn on the green switch, and then the machine works.

If you turn off the red switch, the machine stops, at once.

### **Please attention to these details**◇

1: The machine should be running correct (the same direction of the clockwise).

2: If the machine need frap the saw belt, please take handle on the top

Until the machine have a slicing sound.

This means the bone saw belt is in the correct tension position. Now you could use the machine at anytime.

## Using condition

This machine is used for cutting fresh meat and bone. If you want to cut frozen meat, bones, the right saw blade should be chosen.

This machine should be operated according to this manual.

Service life of Saw blade depends on the stuff it cuts and the pressure. Usually, it has standard for 1000kg to 2000kg, but, if the machine use for saw without the bone, so, the machine will have longer life. Undular saw blade can be used to cut fresh meat, so the saw blade will be used longer. And you can turn over saw blade and using the other side of blade.

Please read th manual and operate it according to the manual before using it. When the door of machine is open ,or there is no security push device(if it is suitable)or saw blade protection device, stop using the machine.

## Operation instruction

When you stand on the operation place, please take the meat with the push handle with right hand between bone band and Push button, hold the handle with left hand. And then catch the stuff you want to cut by right hand, press push device by left hand. And then push the stuff to the saw blade and cut it into pieces. if you have a small meat saw, it must have a transition for the saw. If you do not it, please stop working. Strictly prohibit take the meat with your hand, directly.

When you push the setting or come in over, please use left hand and take out the saw meat from the machine. And then, please handle this setting and pull way to yourself again. Please take the meat on your appropriate for the next time. If the machine need saw the meat, again, you must pay more attention to the more presses, so that the machine of saw will protect or damaged by people

When the machine is working, please not changed the cutting direction to avoid beakage of saw blade. the machine can beat the people and also the wheel will skid with the belt on the machine.

At any time \$please try to put the stuff needed to be cut on the suitable place, and cut meat part before bone part.

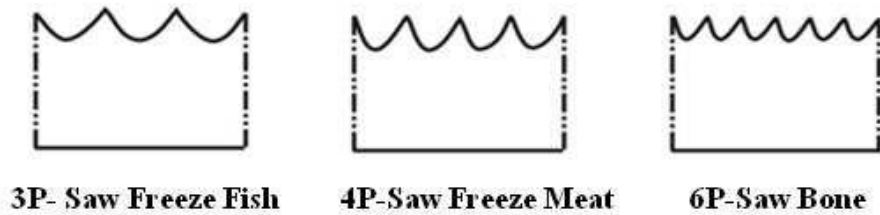
### More notice◇

1. when installation, more attention to saw direction, the sawtooth need to adown on the right way.
2. the scrap must be pin the saw blade, it is not touch with saw tine, or, it will increase more noise and reduce to the saw of life
3. if the bone saw not using it, the better that the machine of handle have two circles with bone saw on the top, it just grain in saw blade life
4. open the door of machine, the machine will stop by itself, but, the saw blade still have a round, please not touch the saw or, it is very risk for the people
5. using for this machine, we advised that you must be defend glove on your hand.
6. please do not take and saw the meat from the machine without any protective ways. Especially when saw the smaller meat, like the pig hoof, if the people do that, the saw blade can harm the fingers, even if the people use the protective glove \$ please take care of this idea

### Replace saw belt

When you replace the saw blade, please loosen the setting and you can loosen it from the anticlockwise. If you install the new saw blade \$ please pay attention to the direction (Refer the key notice 1) or, the saw blade will have break off from the machine, make sure that the saw blade and slicer are installed between the top wheel and bottom pulley and middle plate and pass through guide groove. If it is automatic loosen device, the knob should be turn to the place that loosen the wheel can make sound. It stands for that saw blade is tension correctly. Different food for different saw blade.

Please see the following fig.:



## Adjust saw belt

In order to make the machine work better, it must be round from wheel, if the machine is on this state, so, the saw blade's edge must be kept in line with round wheel.

If the machine not keep in line, So, it must replace it, then it may adjust the slope knob.

We can loosen the nut through level in order to loose the slope knob. You can find when you tight the knob at the same time that adjust the saw blade , the blade will move backward. Just like this, when the knob is loosen, the blade will move forward.

Operate the machine must through tightening or loosing the knob, and it will make the error of installing the blade is minimum and can not fall off. When you adjust the slope knob, please turn the wheel by hand.

After replace the saw blade, ensure the saw blade can run normally before operate the machine.

## Cleaning

Please cut off the plug, before cleaning the machine. Open the door of machine, and loosen the press setting and take off the saw blade. Loose the scraper protection knob, just in order to take off scraper. it is better that the machine is cleaning with hot water and hard brush.



Also it can use the wet slip and hot water and scour to wash the main spare parts ,belt and protective device. Finally, please wipe off all water from the machine by dry cloth.

It should be attention to clean the dead angle and wheel and chain wheel and bottom parts.



### Dead angle part

In order to take out the bolt from the wheel, it dute to the spare parts with left hand installation, So, you must loosen from the clockwise. and then you can take off this spare parts



to avoid water splash on the electric part

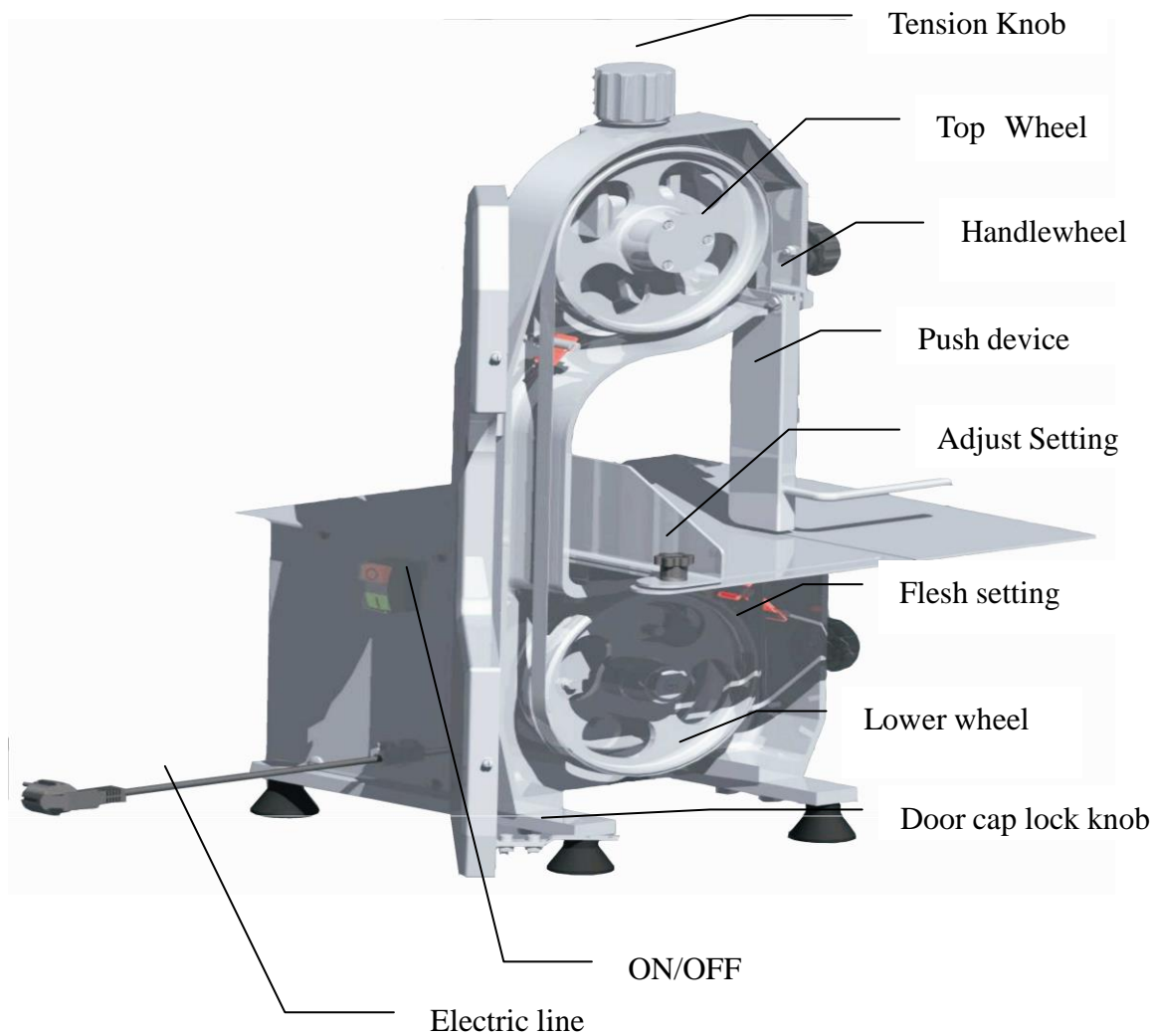
### Maintain

After working for 200 hours, We advised that the machine need put some lube oil on guide apparatus of tightening device. Same as this situation, please take off the tightening device , oil the spring and thread line. We suggest to change wheel bearing after using for 5000 hours.

### Voice class

The highest of voice class is 70 dB ( a)

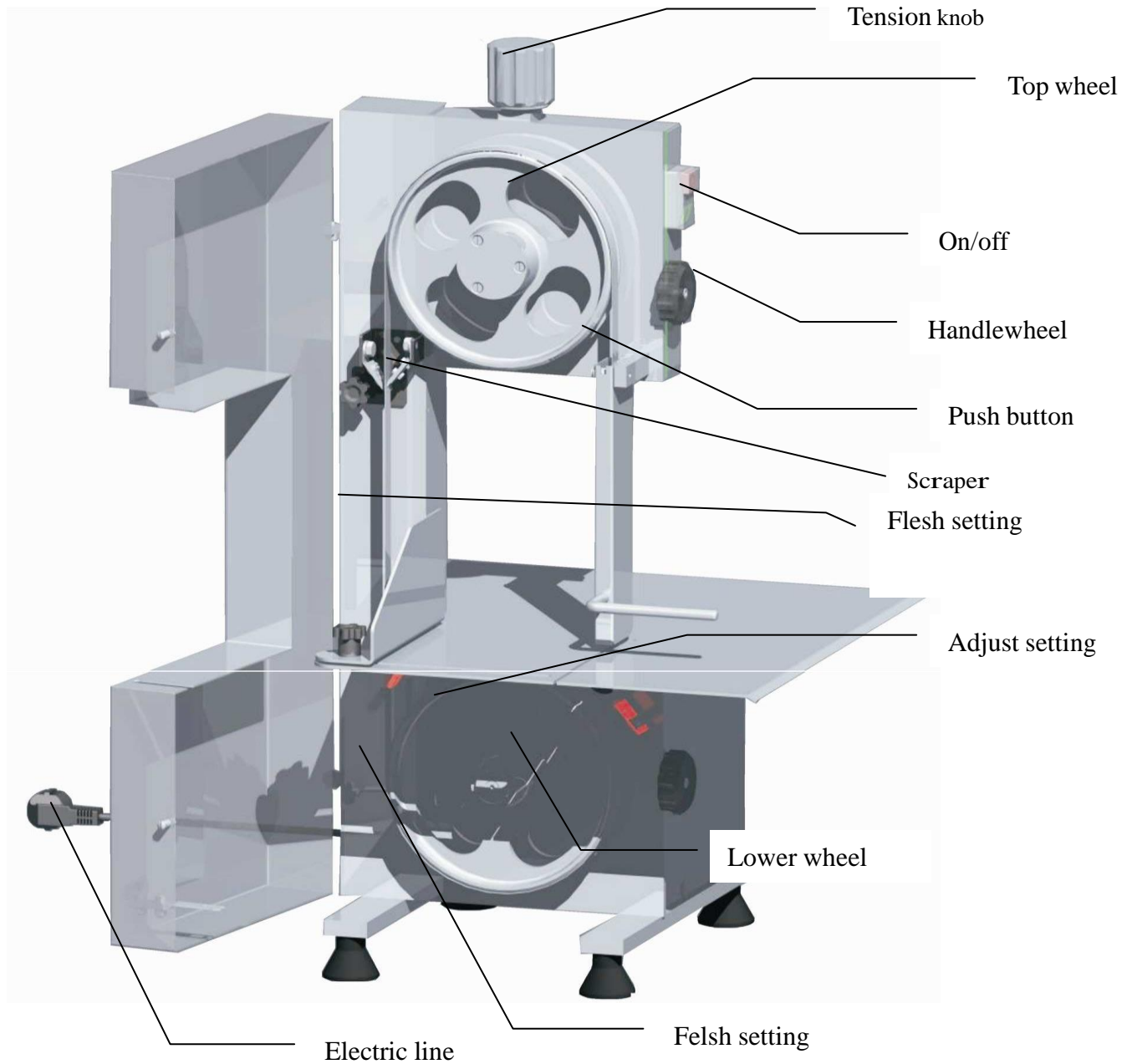
## 1650A-instruction



## 1650A-Specifications

Model: HLS-1650A	items: Aluminium and Magnesium bone saw
Power: 750W	Saw length: 1650mm
Electric source: 230V/50HZ,110/60HZ	Work table size: 437x465mm

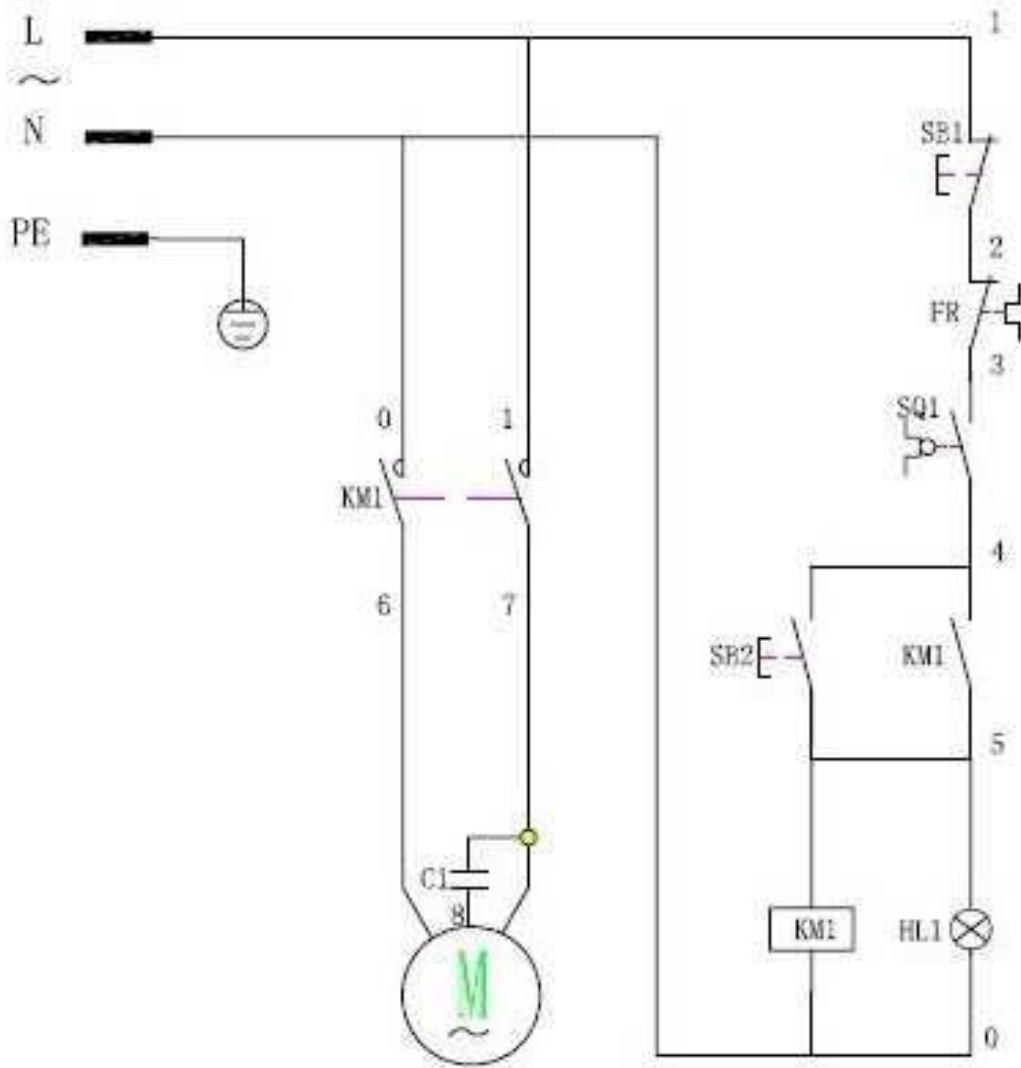
## 1650A-instruction



### 1650- Specifications

Model: HLS-1650	items: Aluminium and Magnesium bone saw
Power: 750W	Saw length: 1650mm
Electric source: 230V/50HZ,110/60HZ	Work table size: 437x465mm

## 1650/1650A Circuit Diagram



Ps:1.euro standard voltage:220-240V,50HZ

2.US standard voltage:110-120V,60HZ

M: MOTOR

FR: overload protection

C1: running capacitor

SQ1: switch

SB1:STOP button

SB2: START button

KM1: contactor

HL1: indicator light



# N'DUSTRIO

Aydınlı Mah. İstanbul Anadolu Yakası  
Organize Sanayi Bölgesi Mermerciler Cad.  
No:41 PK.34953 Tuzla / İstanbul  
Tel : +90 216 593 02 42 Faks:+90 216 593 02 43  
[info@ndustrio.com](mailto:info@ndustrio.com) [www.ndustrio.com](http://www.ndustrio.com)



GPG

N'DUSTRIO